

JAD030R Series DC Fan Cross Flow Fan

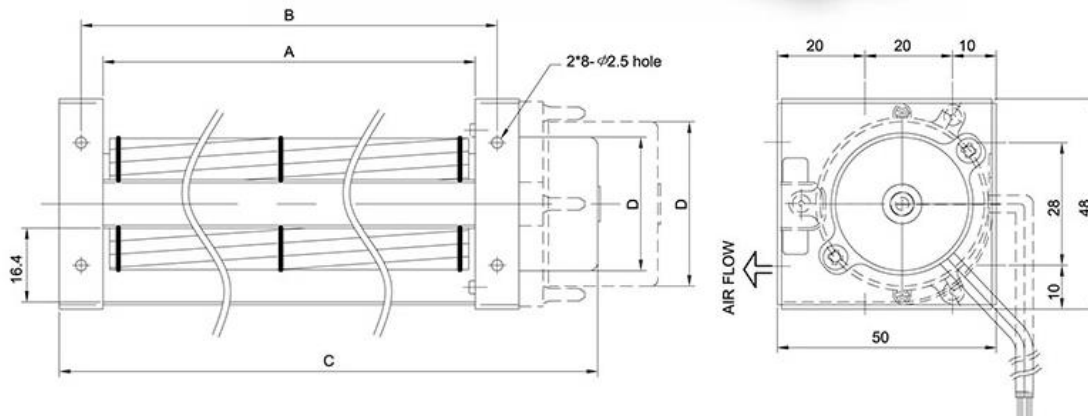
FEATURES

134mm (5.3in) to 345mm (13.6in) lengths. DC Brushless type motor, temperature resistant aluminum alloy, ball or sleeve bearings. **Maximum Pressure: 1.5mmAq (0.059inH2O) to 1.9mmAq (0.074inH2O), Maximum Air Flow: 22CFM (0.6m³/min) to 53CFM (1.5m³/min).** CE, UL listed.



DIMENSIONS

(size:mm)



Dimensions and Specifications are subject to change without notice,
please refer to the actual product.

SPECIFICATIONS

Model \ Spec	Size(mm)				Rated Voltage V	Rated Current A	Speed r.p.m	Max Pressure mmAq	Maximum Air Flow m³/min	Noise dBA	Weight g	Safety Approval		
	A	B	C	D								UL	TUV	CE
JAD03009R123B	98	108	134	31	12	0.15	3200	1.9	0.6	29	180	<input type="checkbox"/>	<input type="checkbox"/>	<input type="checkbox"/>
JAD03009R243B					24	0.18						<input type="checkbox"/>	<input type="checkbox"/>	<input type="checkbox"/>
JAD03015R123B	160	170	196	31	12	0.16	3100	1.7	0.8	30	210	<input type="checkbox"/>	<input type="checkbox"/>	<input type="checkbox"/>
JAD03015R243B					24	0.15						<input type="checkbox"/>	<input type="checkbox"/>	<input type="checkbox"/>
JAD03019R123B	198	208	234	31	12	0.20	2900	1.7	1.0	31	230	<input type="checkbox"/>	<input type="checkbox"/>	<input type="checkbox"/>
JAD03019R243B					24	0.16						<input type="checkbox"/>	<input type="checkbox"/>	<input type="checkbox"/>
JAD03029R123B	300	310	336	31	12	0.22	2600	1.5	1.3	33	290	<input type="checkbox"/>	<input type="checkbox"/>	<input type="checkbox"/>
JAD03029R243B					24	0.20						<input type="checkbox"/>	<input type="checkbox"/>	<input type="checkbox"/>

Jia Chuan Technology