

JAD060R Series DC Fan Cross Flow Fan

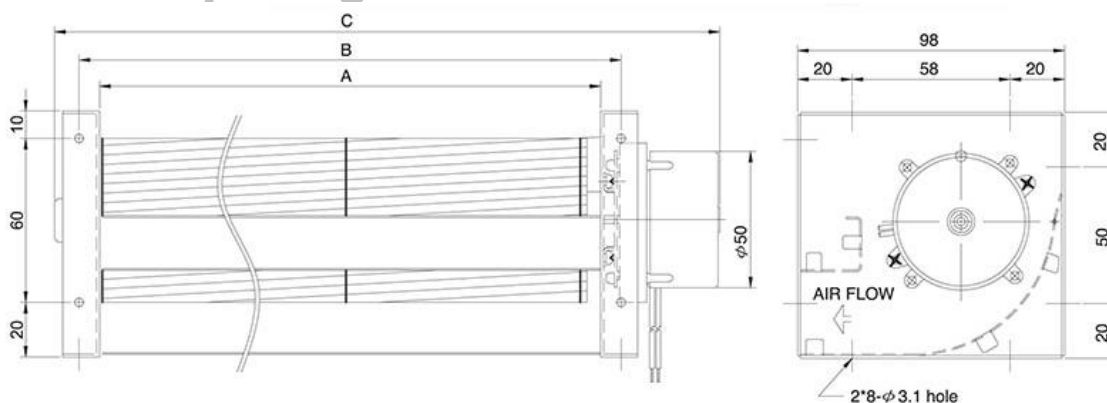
FEATURES

183mm (7.2in) to 489mm (19.3in) lengths. DC Brushless type motor, temperature resistant aluminum alloy, ball or sleeve bearings. **Maximum Pressure: 1.7mmAq (0.066inH2O) to 5.1mmAq (0.200inH2O), Maximum Air Flow: 60CFM (1.7m³/min) to 156CFM (4.4m³/min).** CE listed.



DIMENSIONS

(size:mm)



Dimensions and Specifications are subject to change without notice,
please refer to the actual product.

SPECIFICATIONS

| Model \ Spec | Size(mm) | | | Rated Voltage V | Rated Current A | Speed r.p.m | Max Pressure mmAq | Maximum Air Flow m³/min | CFM | Noise dBA | Weight g | Safety Approval | | |
|--------------|----------|-----|-----|-----------------|-----------------|-------------|-------------------|-------------------------|-----|-----------|----------|-----------------|-----|----|
| | A | B | C | | | | | | | | | UL | TUV | CE |
| JAD06012R12S | 123 | 138 | 183 | 12 | 0.60 | 2500 | 5.1 | 1.7 | 60 | 46 | 620 | | | O |
| JAD06012R24S | | | | 24 | 0.40 | | | | | | | | | O |
| JAD06018R12S | 184 | 199 | 244 | 12 | 0.80 | 2200 | 3.8 | 2.5 | 88 | 44 | 700 | | | O |
| JAD06018R24S | | | | 24 | 0.45 | | | | | | | | | O |
| JAD06024R12S | 245 | 260 | 305 | 12 | 1.0 | 2000 | 3.3 | 3.2 | 117 | 42 | 770 | | | O |
| JAD06024R24S | | | | 24 | 0.55 | | | | | | | | | O |
| JAD0603R12S | 306 | 321 | 366 | 12 | 0.50 | 1600 | 1.8 | 3.3 | 113 | 38 | 840 | | | O |
| JAD06030R24S | | | | 24 | 0.25 | | | | | | | | | O |
| JAD06036R12S | 368 | 383 | 428 | 12 | 0.55 | 1500 | 1.7 | 3.7 | 131 | 36 | 930 | | | O |
| JAD06036R24S | | | | 24 | 0.25 | | | | | | | | | O |
| JAD06042R12S | 429 | 444 | 489 | 12 | 0.60 | 1400 | 1.1 | 4.4 | 156 | 38 | 1000 | | | O |
| JAD06042R24S | | | | 24 | 0.30 | | | | | | | | | O |