

# DC Brushless Micro Blower

## FEATURES

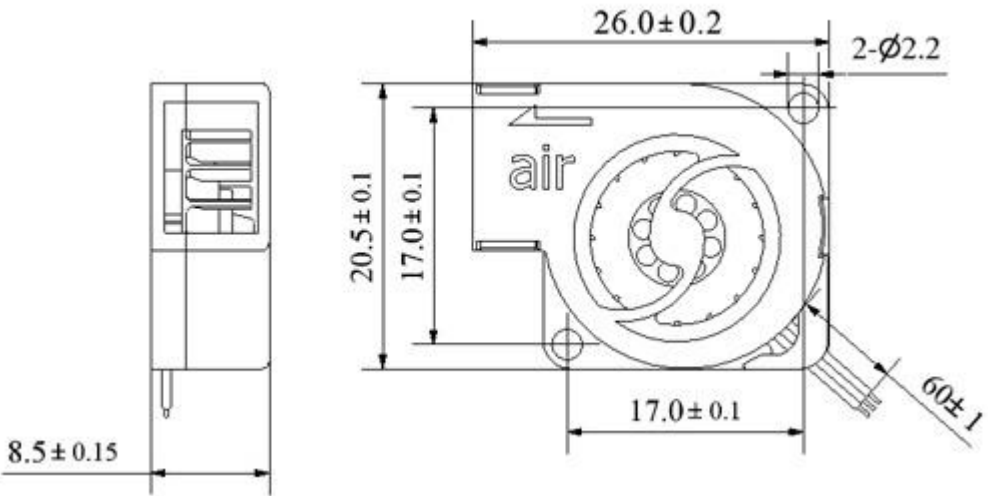
- High efficiency and low power
- High static pressure and low noise
- Self-lubricative bearing used for a long service life



## APPLICATIONS

The atomic cooler provides a premium electronic cooling solution for video processing chipset, high-speed memory module, high-end smart phone, PDA , CCTV, mini projector, MID, Smartbook and so on; and is also applicable to defrosting and ventilation of goggles or sunglasses, and fuel delivery of small fuel cell.

## DIMINSIONS (size:mm)



Dimensions and Specifications are subject to change without notice, please refer to the actual product.

# SPECIFICATIONS

Model Number	JFB2008	
Product Name	Micro Blower	
Rated Voltage (VDC)	3.3	5.0
Operating Voltage (VDC)	2.8~3.6	4.5~5.5
Rated Current (mA)	30	75
Rotation Speed (RPM)±20%	7000	9000
Air Flow (CFM)	0.38	0.57
Static Pressure (mmAq)	2.14	4.73
Noise (dB(A))	25	< 35
Life Expectancy (Hours)	20000@45°C	

