

JBS2218 DC BLOWER

FEATURES

18 x 18 x 4mm (0.70 x 0.70 x 0.16in) 3.3-5V,

axially grooved bearing micro fan. Airflow: **0.65CFM-0.90CFM**, IP57 Dust/Moisture Protection. RoHS Compliant

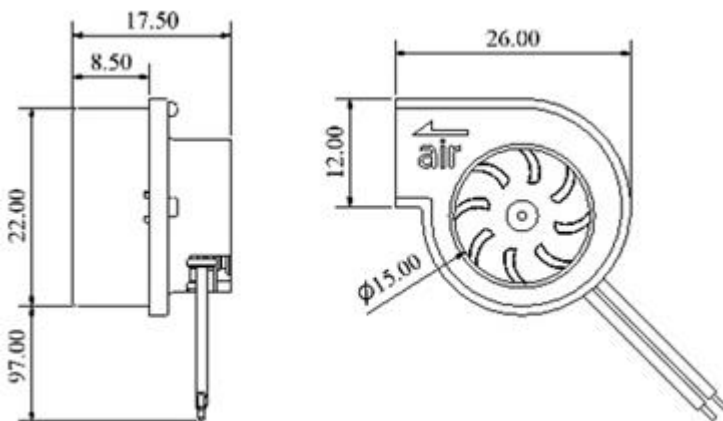


APPLICATIONS

DC Blower is a high quality cooling solutions for high-speed memory module, CCTV, security surveillance system, LED lighting and small projector use.

DIMINSIONS

(size:mm)



Dimensions and Specifications are subject to change without notice, please refer to the actual product.

SPECIFICATIONS

Model Number	RBS2218D
Product Name	Single Micro-Blower
Rated Voltage (VDC)	5.0
Operating Voltage (VDC)	4.5~5.5
Rated Current (mA)	< 85
Rotation Speed (RPM)	10,000
Air Flow (CFM)	0.7
Static Pressure (mmAq)	4.8
Noise (dB(A))	40
Weight (g)	7.5

3V/5V P-Q CURVE

